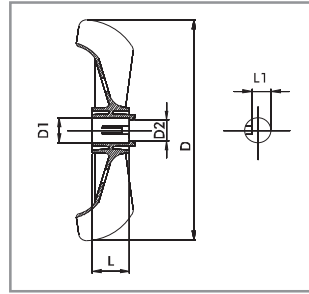


## MOTOR ACCESSORIES

### ORTAC ELECTRICAL MOTOR PROPELLERS

| EN   | TR   |
|--|--|
| <b>Material</b> : Polyamide                            | <b>Hammaddesi</b> : Polyamid                   |
| <b>Colour</b> : Black                                  | <b>Renk</b> : Siyah                            |
| <b>Permanent operational temp.</b> : -20 +100 °C       | <b>Sürekli ısıya direnci</b> : -20 +100 °C     |
| <b>Short term max. operational temp.</b> : -30 +150 °C | <b>Kısa süreli ısıya direnci</b> : -30 +150 °C |

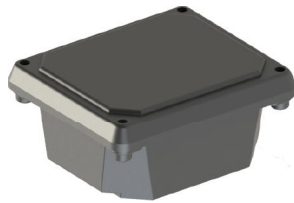
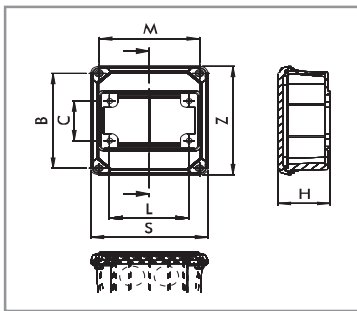


### MOTOR PERVANELERİ



| Type      | Code   | D mm. | D1 mm. | D2 mm. | L mm. | L1 mm. |
|-----------|--------|-------|--------|--------|-------|--------|
| 63        | ORT 02 | 95    | 11     | 9,4    | 18,5  | 8,7    |
| 71        | ORT 03 | 129   | 14     | 12     | 20    | 11,2   |
| 80        | ORT 04 | 146   | 19     | 17     | 22    | 15,7   |
| 90        | ORT 05 | 140   | 24     | 22     | 24    | 20,7   |
| 100 - 112 | ORT 06 | 165   | 28     | 25,6   | 24    | 24,7   |
| 132       | ORT 07 | 200   | 38     | 35,6   | 32    | 34,3   |
| 160       | ORT 08 | 250   | 42     | 39,2   | 34    | 38,3   |
| 180       | ORT 09 | 270   | 48     | 44,5   | 36    | 43,6   |
| 200 - 225 | ORT 10 | 300   | 57     | 53,8   | 44    | 52,8   |
| 200 - 225 | ORT 11 | 300   | 62     | 58,8   | 44    | 57,8   |

### MOTOR KLEMENS KUTULARI



### ORTAC MOTOR TERMINAL BOXES

| EN   | TR   |
|--|--|
| <b>Material</b> : Polyamide                            | <b>Hammaddesi</b> : Polyamid                   |
| <b>Colour</b> : Gray<br>Black                          | <b>Renk</b> : Gri<br>Siyah                     |
| <b>Permanent operational temp.</b> : -20 +100 °C       | <b>Sürekli ısıya direnci</b> : -20 +100 °C     |
| <b>Short term max. operational temp.</b> : -30 +150 °C | <b>Kısa süreli ısıya direnci</b> : -30 +150 °C |

| Type         | Gray Code | Black Code | Z mm. | S mm. | H mm. | L mm. | C mm. | M mm. | B mm. | Cable Gland Size |
|--------------|-----------|------------|-------|-------|-------|-------|-------|-------|-------|------------------|
| 56 - 63      | PMK 01    | PMKB 01    | 95,5  | 82,5  | 44    | 50    | 50    | 69    | 82    | PG11             |
| 71 - 80 - 90 | PMK 02    | PMKB 02    | 103,5 | 93    | 49    | 55    | 55    | 77,5  | 88    | PG16             |
| 100 - 112    | PMK 03    | PMKB 03    | 125,5 | 109   | 49    | 74    | 46    | 93,5  | 110   | PG16             |
| 132          | PMK 04    | PMKB 04    | 143,5 | 127,5 | 56    | 92    | 46    | 112   | 128   | PG21             |